

CoRe+ Installation Guide for the Pedestal Anchor

Anchor

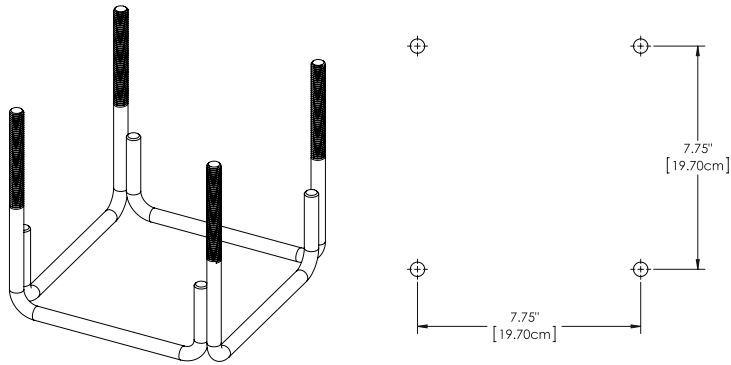


Fig. 1: Prefabricated anchor

Fig. 2: Threaded rod spacing

The installer can use a prefabricated anchor offered by AddEnergie (part number: C+V1-ANCHOR) or make his own using 12" long 1/2" threaded rods spaced according to the pattern shown on left.

Concrete Base

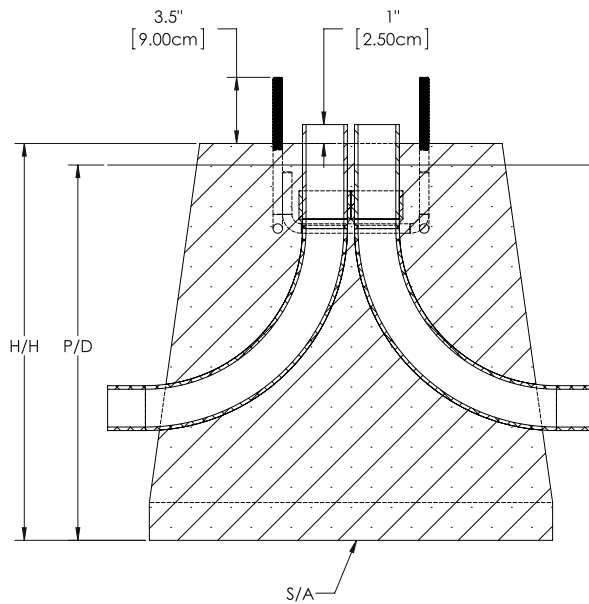


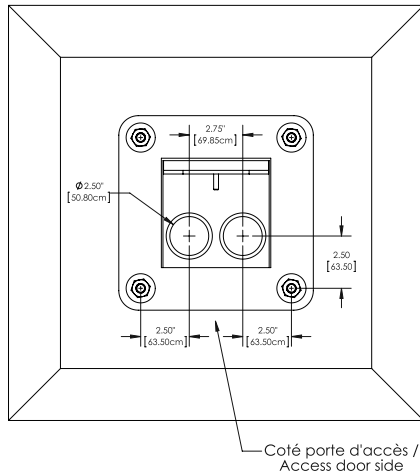
Fig. 3: Concrete Base

The base can be prefabricated or made on site using concrete formwork.

Determine the base's height (H), depth in the ground (D) and the surface area (A) of its sole according to the soil type and the freeze thaw specifications of the installation area.

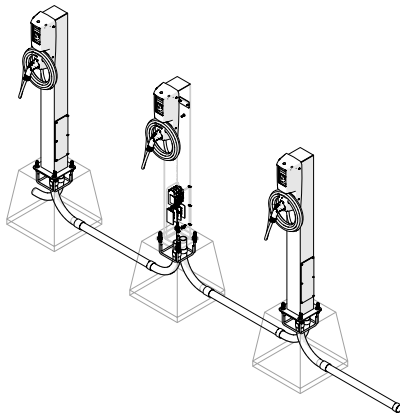
Use an electrical conduit of the appropriate size with a diameter of 2" or less to bring the electrical cables to the center of the anchor.

Conduit Positioning



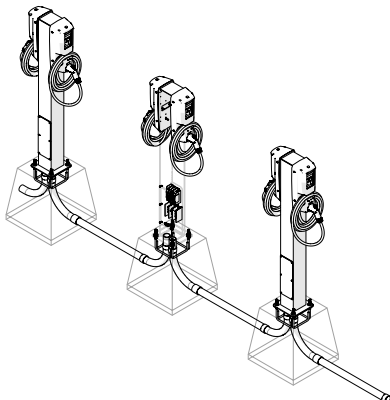
With 2 conduits and a cascading kit:

- The pedestal base opening has been sized to accept 2 PVC conduits up to 2 inches in diameter each, side by side.
- The 2 conduits must be placed side by side and centered between the anchor pins which are located on each side of the pedestal's access door.
- On the other axis, the conduits should be off center, toward the door, with the conduits' outer envelope maintained at a minimum distance of 1.25 inch (32 mm) from the axis passing through the center of the pins.



Cascading single station pedestals:

- When a single charging station head is mounted on a pedestal, it should always be facing the parking space it is serving.
- To have the head facing the parking space, the access door of the pedestal must be facing left or right.
- To have the access door facing left or right, the conduits must be placed side by side, as shown.



Cascading dual station pedestals:

- When 2 charging station heads are mounted on a pedestal, they should always be facing left and right.
- To have the heads facing left and right, the pedestal's access door should be facing the rear of the pedestal.
- To have the access door facing the rear of the pedestal, the conduits must be placed side by side, as shown.